

ACHELLA MODULAR GANGING BRACKET INSTALLATION

Step 1: Using the inserts on the unit as guidelines, affix the two connecting plates to one unit with one (1) 5/16-18 bolt at each plate (Figure A).*

Step 2: Align the connecting plate to the second units' inserts and secure using one (1) 5/16-18 bolt at each plate (Figure B).

FIGURE A: Affix connecting plate to one unit.

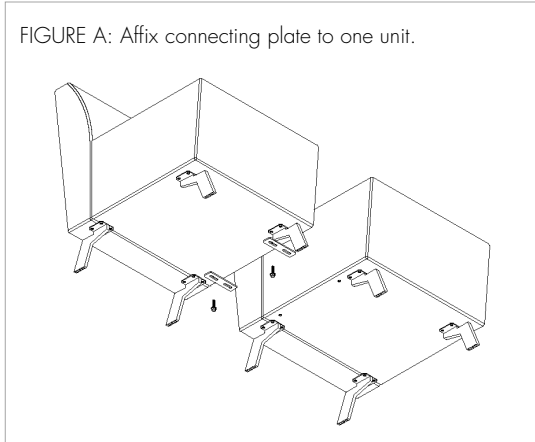
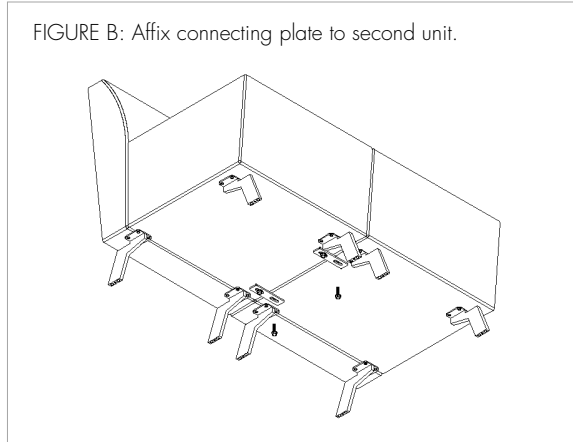
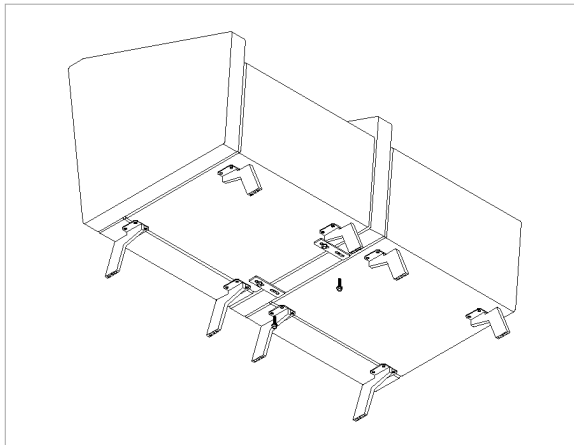


FIGURE B: Affix connecting plate to second unit.



*If the unit is connecting with an arm, the inserts will be located on the arm itself. See below for reference.



If you require additional assistance, please contact Arcadia Client Services at 800.585.5957.