

## DOMO MODULAR GANGING CONNECTOR INSTALLATION

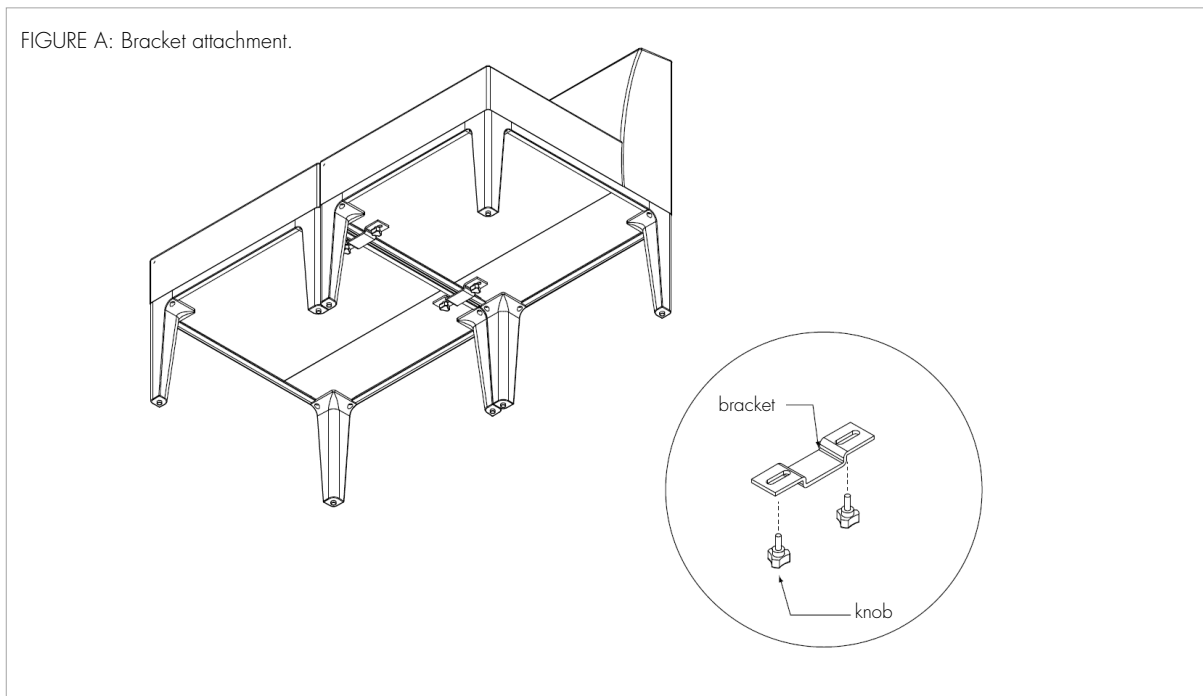
Step 1: Bring both units together along with the two ganging brackets.

Step 2: Align brackets with the predrilled holes.

Step 3: Attach bracket to the chair with the provided knobs (Figure A).

Step 4: Adjust the height using the adjustable glides on legs to level units as needed.

FIGURE A: Bracket attachment.



If you require additional assistance, please contact Arcadia Client Services at 800.585.5957.