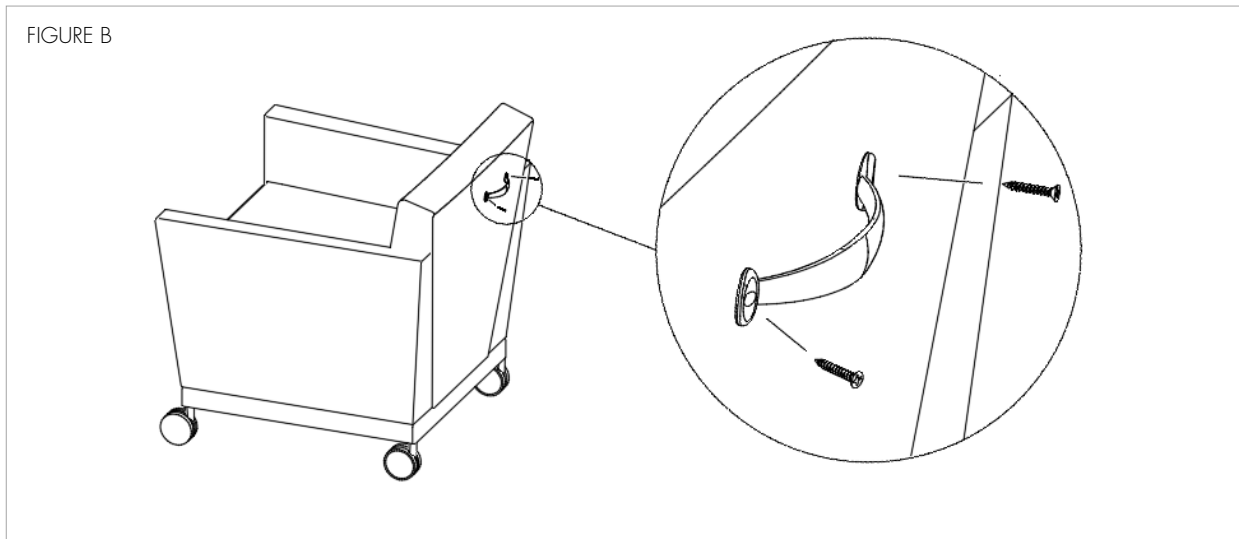
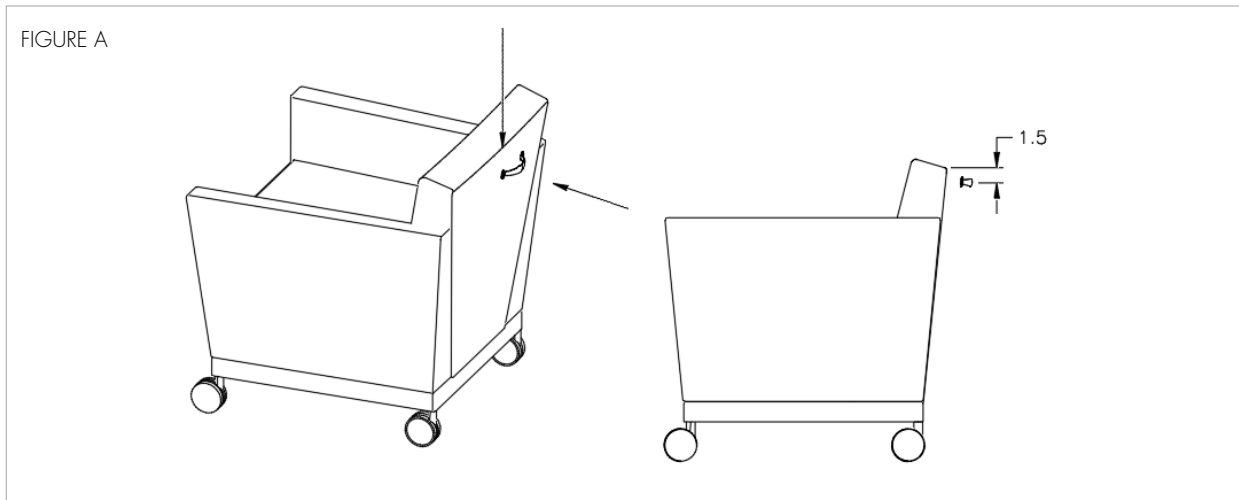


## HUDDLE PULL HANDLE INSTALLATION FOR MODEL #2221

Step 1: Center align the pull handle to back of the seating unit. Position handle so that it is no more than 1-1/2" from the back top edge (Figure A).

Step 2: With the pull handle in the correct position, use provided wood screws and secure firmly in place (Figure B).



If you require additional assistance, please contact Arcadia Client Services at 800.585.5957.