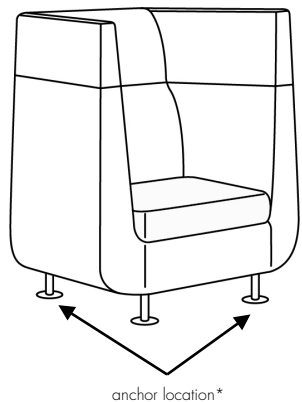


HUSH FLOOR ANCHORING INSTRUCTIONS

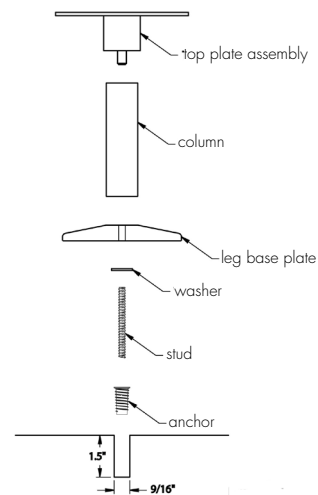
- Step 1: Mark the floor at the center of the leg, in the two diagonal locations (Figure A).
- Step 2: At the two marked locations, drill 1½" into the floor using a 9/16" diameter drill bit.
- Step 3: Insert threaded anchor into the hole drilled into floor so that the top of the anchor is flush with the floor height. It is important to make sure that the locations of the holes and legs align perfectly to desired position.
- Step 4: Insert threaded stud into the anchor (Figure B).
- Step 5: Place washer and leg base plate over the stud. Thread the column, followed by the top place, onto the stud (Figure B).
- Step 6: Once the two metal legs are set in the floor, place upholstered unit over the legs. There are pre-drilled holes in the frame to allow the threaded stud that is affixed to the metal leg to be secured to the unit. Please reference the Hush Leg Assembly Instructions for instructions.

FIGURE A: Anchor location.



** fastening to the floor requires only two (2) anchors at diagonal locations on the chair*

FIGURE B: Attach leg to anchor.



If you require additional assistance, please contact Arcadia Client Services at 800.585.5957.