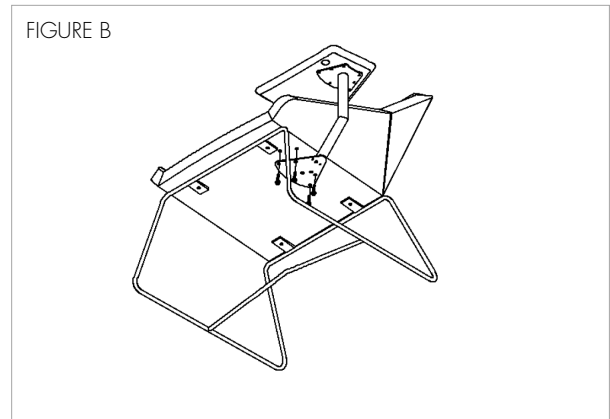
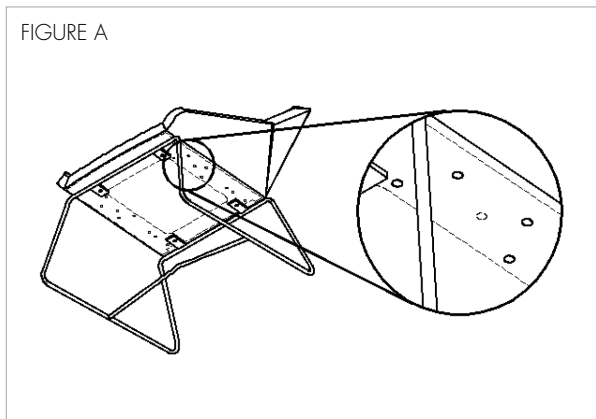


NIOS TABLET ARM INSTALLATION – SLED BASE MODELS

Step 1: From underneath the unit, locate the t-nut holes through the black decking.

Step 2: Poke through the black decking to expose the threading underneath the location of the 4 marked holes (Figure A).

Step 3: Align the tablet holes with the four exposed holes. Use the four ¼"-20 x 1" hex bolts to tighten the tablet arm to the unit (Figure B).



If you require additional assistance, please contact Arcadia Client Services at 800.585.5957.